

Conversion Ground Effect Repair Parts

Attn:

Company:

Phone:

Fax:

From:

Diagram: D'Elegant Explorer GE Package

V-Sales Company

A div. of RV Marketing, Inc.

2016 Borneman Ave.

Elkhart, Indiana 46517

Toll-free 1-800-528-7953

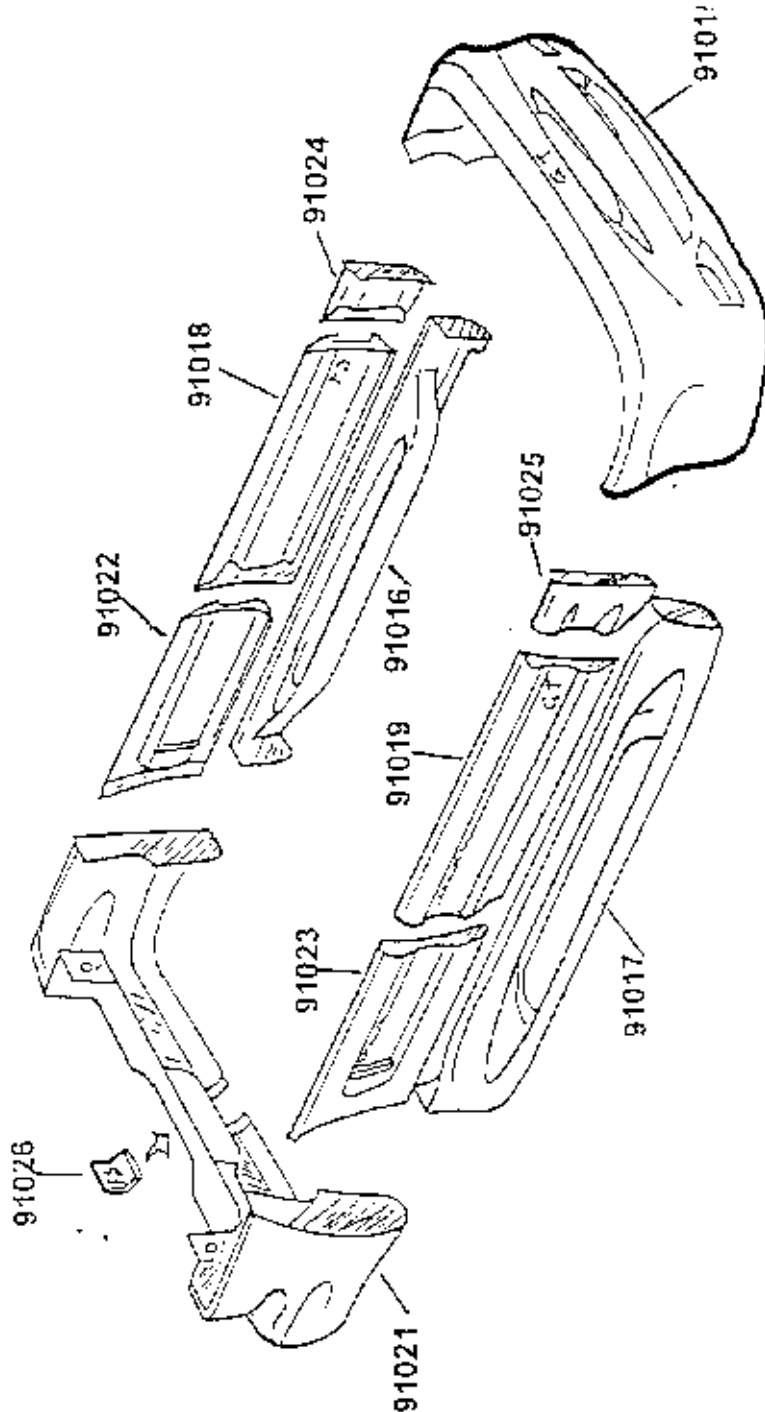
Tel 574-294-8820

Toll-free fax 1-888-485-3377

Fax 574-294-7599

CustomerService@v-sales.com

www.v-sales.com



D'Elegant Explorer GE Package #W91020

Part#	Description
W91015	Front Bumper
W91016	Driv RB
W91017	Ps RB
W91021	Rear Bumper with Quarters
W91018	Driv Front Door
W91019	Ps Front Door
W91022	Driv Rear Door
W91023	Ps Rear Door
W92024	Driv Front Cap
W91025	Ps Front Cap
W91026	Rear Hitch Door

