

Conversion Ground Effect Repair Parts

Attn:

Company:

Phone:

Fax:

From:

Diagram: Astro II Smart Step

V-Sales Company

A div. of RV Marketing, Inc.

2016 Borneman Ave.

Elkhart, Indiana 46517

Toll-free 1-800-528-7953

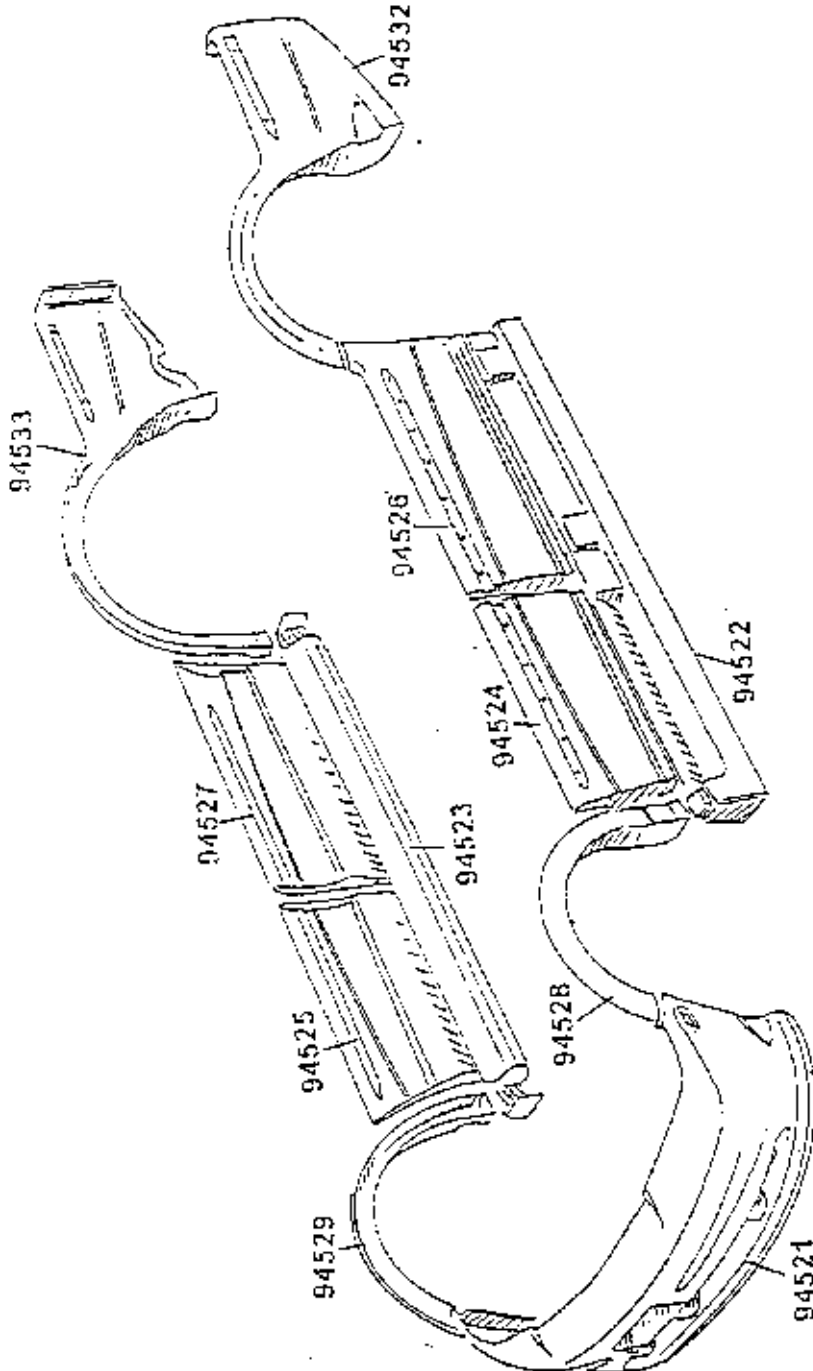
Tel 574-294-8820

Toll-free fax 1-888-485-3377

Fax 574-294-7599

CustomerService@v-sales.com

www.v-sales.com



Astro II Smart Step #W94530

Part#	Description
W94521	Front Bumper
W94522	Driv Smart Step RB
W94523	Ps Smart Step RB
W94524	Driv Door
W94525	Ps Door
W94527	Ps Slider Door
W94526	Driv Body
W94528	Driv Front Flair
W94529	Ps Front Flair
W94532	Driv Rear Quarter
W94533	Ps Rear Quarter



V - SALES